

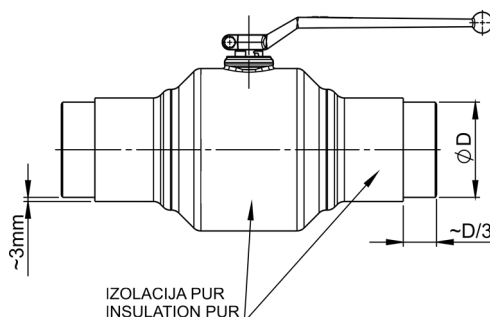
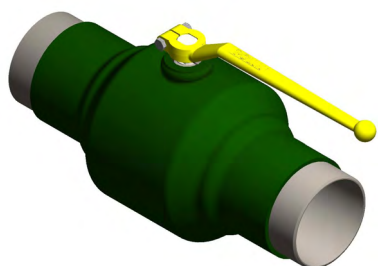
PUR IZOLACIJA / PUR INSULATION

// Delovna temperatura / Working temperature: -20 °C/+60 °C

(Za temperature nižje od -20 °C kontaktirajte proizvajalca /

For temperature below -20 °C please contact manufacturer)

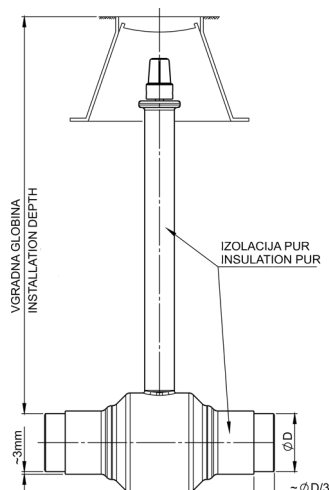
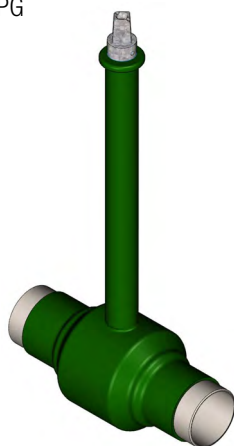
DN15-DN400



1	Krogelna pipa Ball valve	Ogljikovo jeklo – A105, P235TR2 Carbon Steel – A105, P235TR2
2	Antikorozijska zaščita Anti-corrosion protection	PUR

Art.	DN
A071627	15-400

DN15-DN400 PG



1	Krogelna pipa Ball valve	Ogljikovo jeklo – A105, P235TR2 Carbon Steel – A105, P235TR2
2	Podzemni nastavak Stem extension	Ogljikovo jeklo – P235TR1, A105 Carbon Steel – P235TR1, A105
3	Antikorozijska zaščita Anti-corrosion protection	PUR

Art.	DN
A071628	15-400 PG